

# R15IB3S-65EX

15" Intel® Celeron® N2930 ATEX Panel PCs



## KEY FEATURES

- 15" 1024 x 768, PCAP touchscreen, ATEX Panel PCs
- Class 1, Division 2 & ATEX Zone 2 & IECEx Zone 2 device certified for hazardous area application
- Stand-alone solution for use in Ex Zone 2 hazardous areas
- Intel® Celeron® Processor N2930
- Fanless design with streamlined enclosure for highly efficient heat dissipation

## INTRODUCTION

Winmate ATEX Panel PC Series is designed for safe and reliable performance in hazardous environments, certified for Class 1, Division 2, ATEX Zone 2, and IECEx Zone 2 applications. Powered by Intel® processors, these fanless Panel PCs feature durable, streamlined enclosures for efficient heat dissipation and wide operating temperatures, with optional intelligent heaters for extreme cold down to -40°C. Ideal for industrial and chemical settings, they include high-brightness displays, multi-touch capabilities, IP65-rated protection, and flexible mounting options, ensuring superior usability and safety in challenging conditions.

## SPECIFICATIONS

### System Specification

<b>Processor</b>	Intel Celeron N2930 1.83GHz (up to 2.16GHz)	<b>Memory</b>	4GB(Default) (Default) 8GB (Optional)
<b>Storage</b>	128GB SSD(Default) (Default) 256GB SSD (Optional) 512GB SSD (Optional)	<b>Ethernet controller</b>	1 x Intel® Ethernet Controller
<b>Operating System</b>	Windows 10 IoT Enterprise (64 bit) (Optional) Linux Ubuntu 20.04 (Optional)		

### Display

<b>Touch / Glass</b>	Projected Capacitive Multi Touch Screen Bonding With Panel	<b>Resolution</b>	1024x768
<b>Size</b>	15.0 inches	<b>Contrast Ratio</b>	2000:1
<b>Panel Brightness</b>	550 (Default) nits 1000 nits(Optional)	<b>View Angles</b>	88,88,88,88
<b>Active Area</b>	304.1x228.1 mm		

### Mechanical

<b>Dimension</b>	396 x 310 x 49 mm (Without Box Cover) 396 x 346.4 x 101.7 mm (With Box Cover)	<b>Weight</b>	5.7 kg (Without Box Cover) 10.2 Kg (With Box Cover)
<b>Mounting</b>	VESA mount	<b>Enclosure</b>	Stainless Housing
<b>Cooling System</b>	Fanless Design		

### Environment

<b>Operating Humidity</b>	10% to 95% RH, Non-Condensing	<b>Operating Temperature</b>	-20°C to 60°C
<b>Storage Temperature</b>	-30°C to 70°C	<b>Shock</b>	MIL-STD-810G Method 516.6 Procedure I (Optional)

Vibration	MIL-STD-810G Method 514.6 Procedure I	IP rating	IP65
Drop	MIL-STD-810G Method 516.6 Procedure IV		

### Certification

Certification	CE, FCC
	UL 60950-1 CAN/CSA C22.2 No. 60950-1-07 EN 62368-1
	Class I, Div.2, Groups A,B,C,D T4 -20 <= Tamb <= 50 Meet Standards ANSI/ISA-12.12.01-2012 CSA/CSA C22.2 No. 213-M1987
	ATEX II 3G Ex ic nA IIC T4 Gc -20 <= Tamb <= 50 Meet Standards EN 60079-0, EN 60079-11, EN 60079-15
	IECEX Ex nA IIC T4 Gc -20 <= Tamb <= 50 Meet Standards IEC 60079-0, IEC 60079-15

### IO Ports

Power Input	1 x 9~36V DC, M12 Type connector	USB Port	1x M12 type connector for 2 x USB2.0
Serial Port	1 x M12 connector for RS232/422/485 (Default RS232)	Expansion Port	1 x mPCIe slot(for SATA III SSD) 1 x mPCIe slot(for Wi-Fi module)
LAN	1 x M12 type connector for Giga LAN	Indicator	1 x LED Indicator for power 1 x LED Indicator for storage

### Control

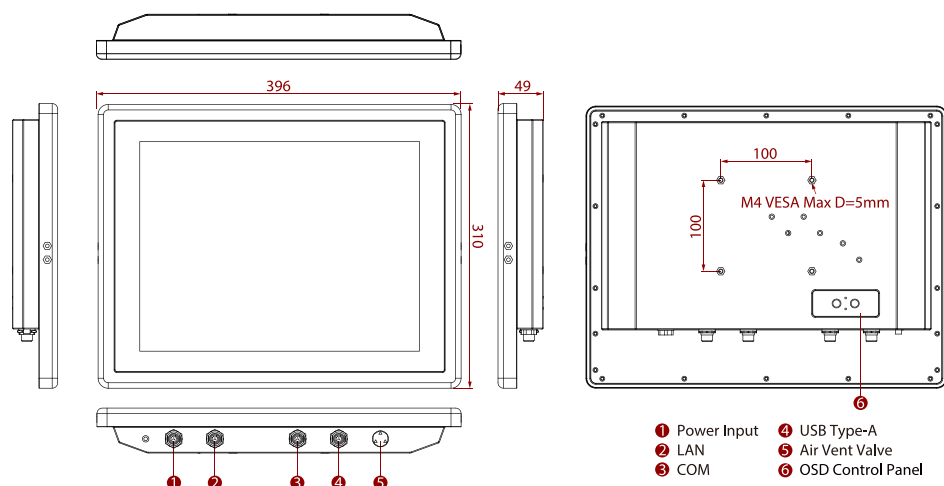
Button	1 x Power Button 1 x Reset Button
--------	--------------------------------------

### Accessory

Accessory	For Non-Ex Environment Use: 100~240V AC to DC Power Adapter with M12 Connector Power Cord M12 Type Power Cable M12 Type RS232 Male Cable M12 Type USB Female Cable M12 Type LAN Cable RJ45 female-female converter USB Adapter (USB type A to type B) VESA screws
-----------	--

## DIMENSIONS UNIT:MM

w/o Box Cover



## NOTE

1. Total usable memory will be less dependent upon actual system configuration.
2. Length measurements do not include protrusions. Weight varies with options.
3. Measured at maximum backlight and high CPU load.
4. Accessories and Integrated Options may vary depending on your configuration.
5. The product shown in this datasheet is a standard model. For diagrams that contain customized or optional I/O, please contact the Winmate Sales Team for more information.

With Box Cover

